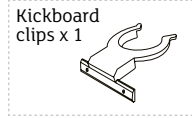
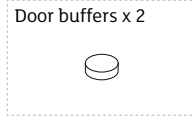
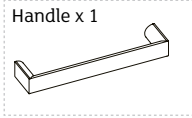
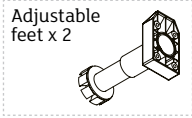
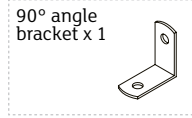
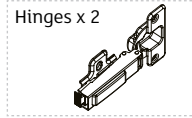


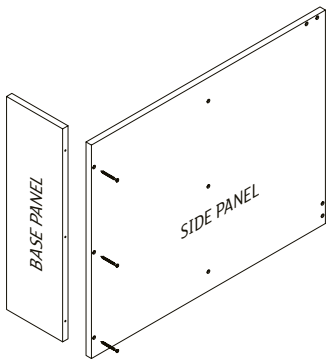
kitko.

KITCHEN SOLUTIONS

200mm BASE CABINET

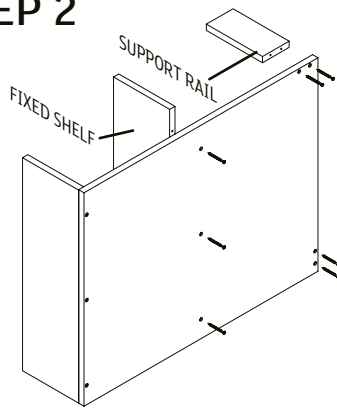


STEP 1



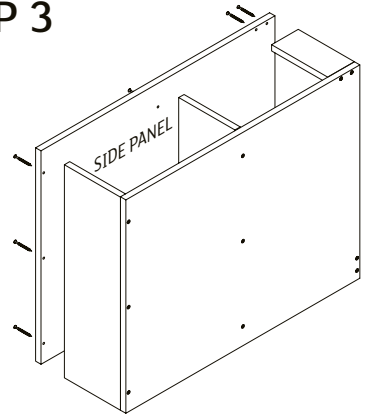
Screw base panel into side panel.

STEP 2



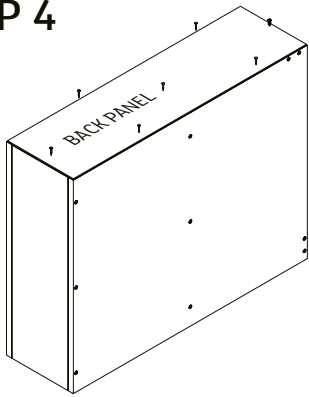
Screw fixed shelf and support rails in position.

STEP 3



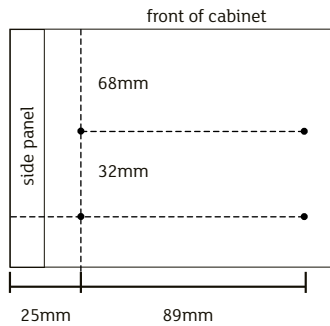
Attach remaining side panel.

STEP 4



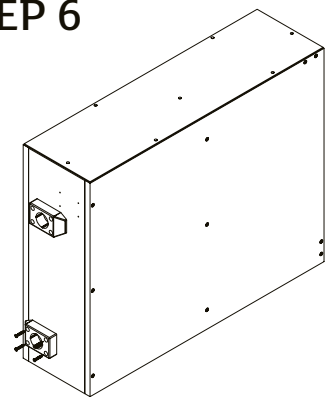
Nail back panel onto the side panels, base panels and fixed shelf. Screw the back panel into the top support rail.

STEP 5



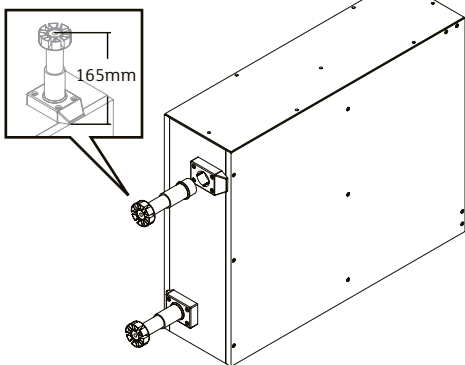
Turn the cabinet over. Mark out the dimensions shown.

STEP 6



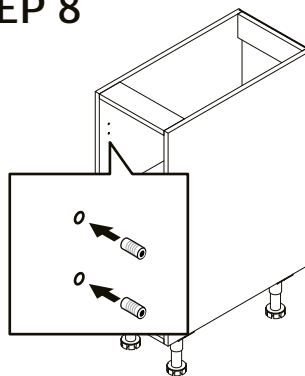
Screw the base plate for the adjustable legs in position.

STEP 7



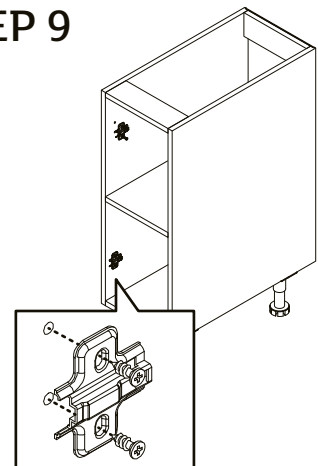
Attach leg to the base plate. Set the height of the adjustable legs to 165mm. Repeat for the remaining leg.

STEP 8



Tap the plastic lugs into the screw holes on the cabinet and door.

STEP 9



Caution: Please ensure all cabinets are screwed into your timber stud wall. If attaching to concrete, brick, steel or other sub surfaces seek advice from your hardware specialist. WARNING: Do not allow children to climb on this furniture – it may topple over and badly injure a child.

Do not place toys or other child appealing items on top of this furniture. For advice or any other questions you may have, call customer service on: AU Customers: 1800 666 078 between 8:00am - 6:00pm E.S.T Monday to Friday NZ Customers: 0800 522 663 between 8:00am - 6:00pm E.S.T Monday to Friday

kitko.

KITCHEN SOLUTIONS

200mm BASE CABINET

40mm wood screws x 20



28mm wood screws x 4



14mm wood screws x 4



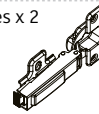
16mm pan head screws x 8



25mm handle screws x 2



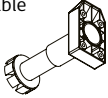
Hinges x 2



90° angle bracket x 1



Adjustable feet x 2



25mm nails x 20



Handle x 1



Plastic lugs x 9



Stick on caps x 5



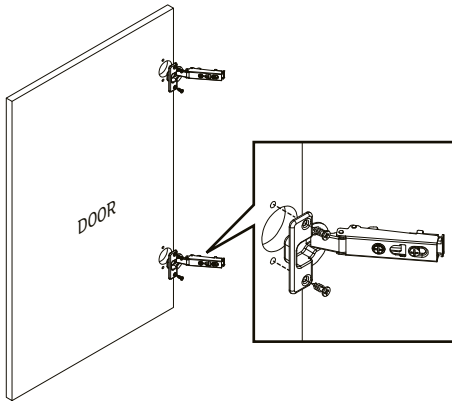
Door buffers x 2



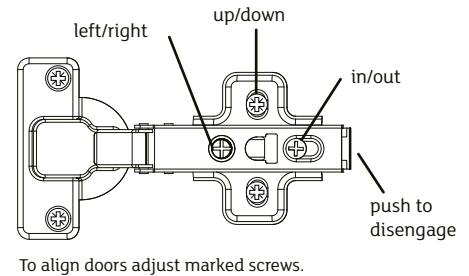
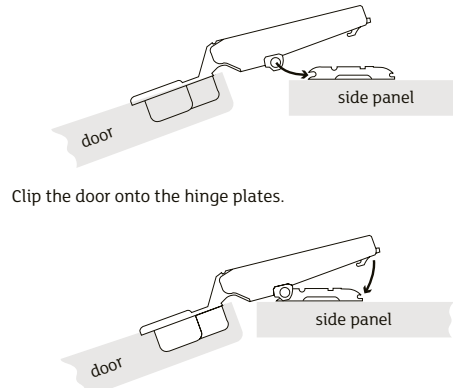
Kickboard clips x 1



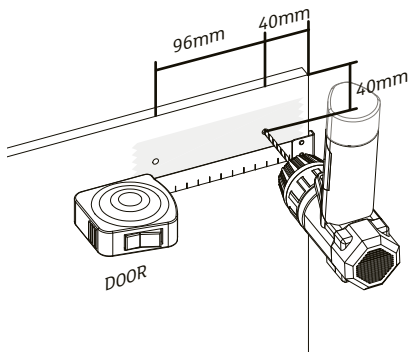
STEP 10



STEP 11

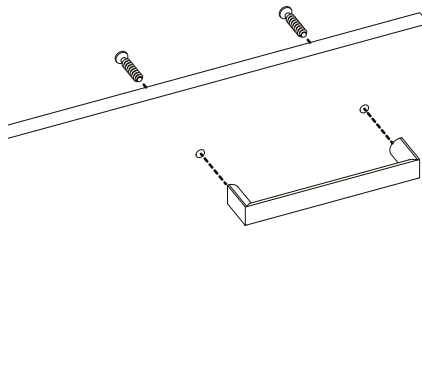


STEP 12

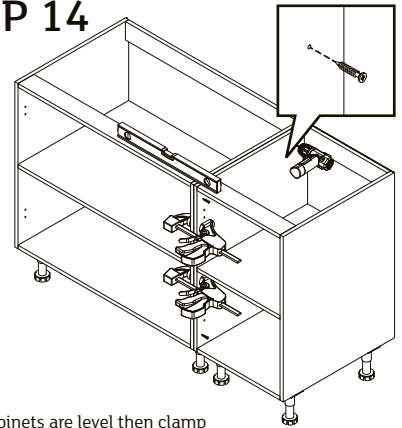


Place masking tape on both sides of the door where holes will be drilled to avoid chipping. Pre-drill using 4.5mm drill bit.

STEP 13

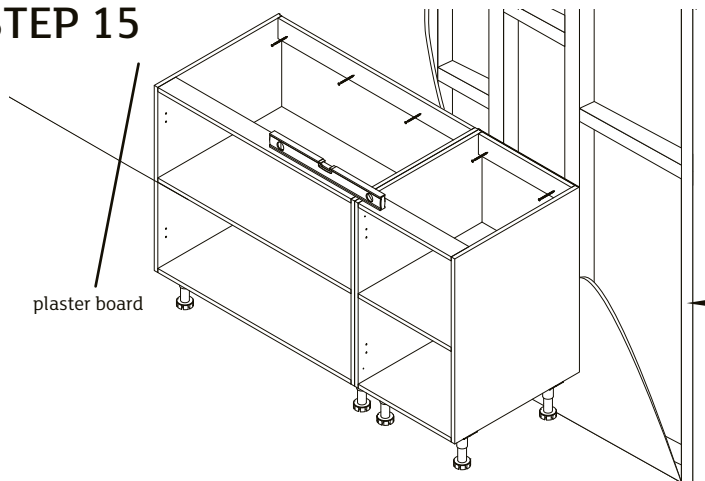


STEP 14



Check cabinets are level then clamp together. Pre-drill using 2mm drill bit and attach cabinets together.

STEP 15



Caution:
Please ensure all cabinets are screwed into your timber stud wall using a minimum of 60mm timber screws. If attaching to concrete, brick, steel or any other substrates seek advice from your hardware specialist.

Caution: Please ensure all cabinets are screwed into your timber stud wall. If attaching to concrete, brick, steel or other sub surfaces seek advice from your hardware specialist. WARNING: Do not allow children to climb on this furniture – it may topple over and badly injure a child.

Do not place toys or other child appealing items on top of this furniture. For advice or any other questions you may have, call customer service on: AU Customers: 1800 666 078 between 8:00am - 6:00pm E.S.T Monday to Friday NZ Customers: 0800 522 663 between 8:00am - 6:00pm E.S.T Monday to Friday