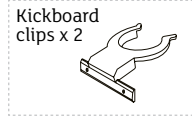
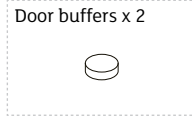
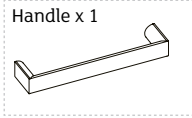
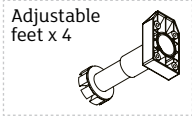
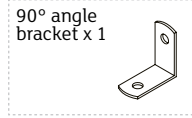
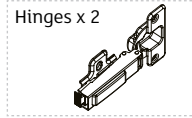


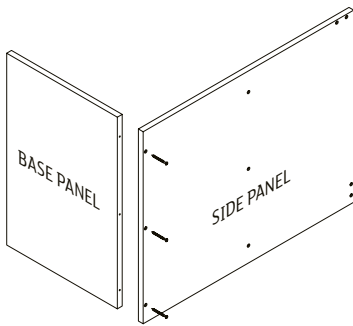
kitko.

KITCHEN SOLUTIONS

400mm BASE CABINET

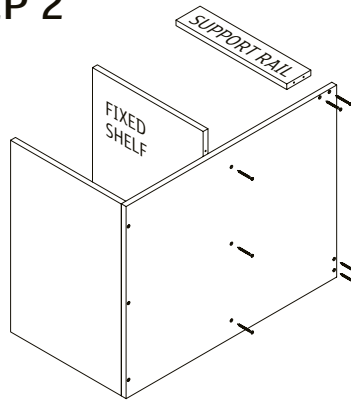


STEP 1



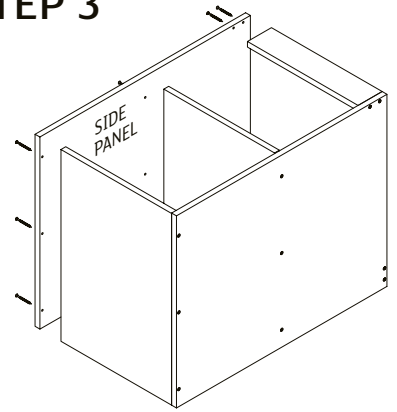
Screw base panel into side panel.

STEP 2



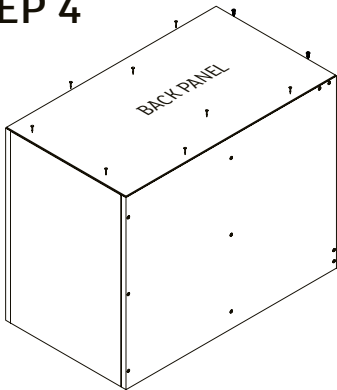
Screw fixed shelf and support rails in position.

STEP 3



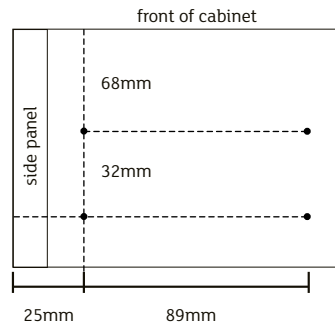
Attach remaining side panel.

STEP 4



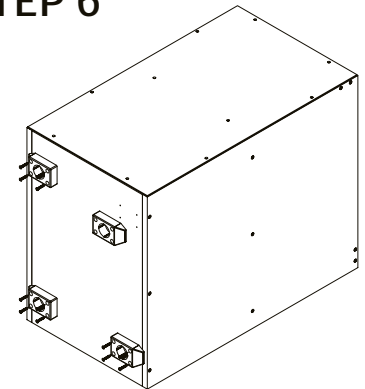
Nail back panel onto the side panels, base panels and fixed shelf. Screw the back panel into the top support rail.

STEP 5



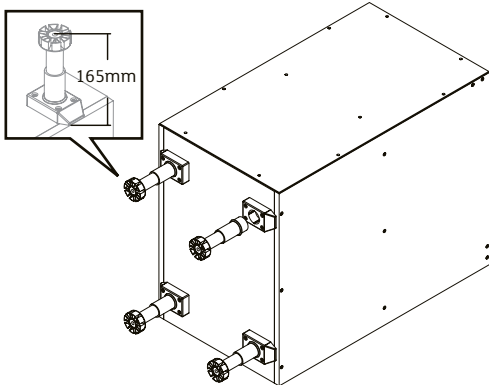
Turn the cabinet over. Mark out the dimensions shown.

STEP 6



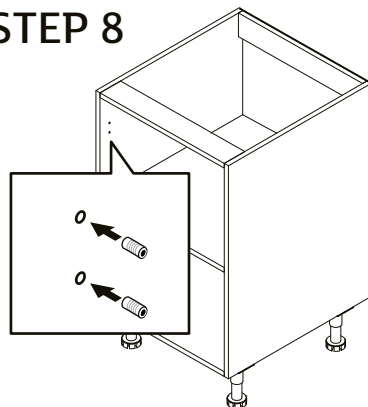
Screw the base plate for the adjustable legs in position.

STEP 7



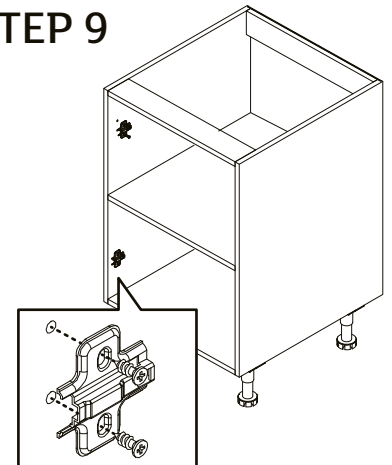
Attach leg to the base plate. Set the height of the adjustable legs to 165mm. Repeat for the remaining legs.

STEP 8



Tap the plastic lugs into the screw holes on the cabinet and door.

STEP 9



Caution: Please ensure all cabinets are screwed into your timber stud wall. If attaching to concrete, brick, steel or other sub surfaces seek advice from your hardware specialist. WARNING: Do not allow children to climb on this furniture – it may topple over and badly injure a child.

Do not place toys or other child appealing items on top of this furniture. For advice or any other questions you may have, call customer service on: AU Customers: 1800 666 078 between 8:00am - 6:00pm E.S.T Monday to Friday NZ Customers: 0800 522 663 between 8:00am - 6:00pm E.S.T Monday to Friday

kitko.

KITCHEN SOLUTIONS

400mm BASE CABINET

40mm wood screws x 20



28mm wood screws x 4



14mm wood screws x 6



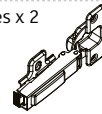
16mm pan head screws x 16



25mm handle screws x 2



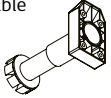
Hinges x 2



90° angle bracket x 1



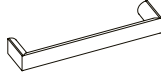
Adjustable feet x 4



25mm nails x 25



Handle x 1



Plastic lugs x 9



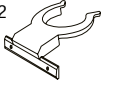
Stick on caps x 5



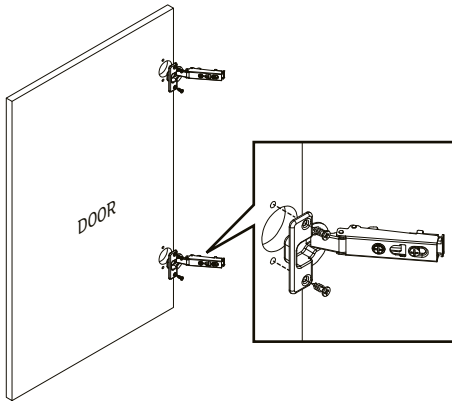
Door buffers x 2



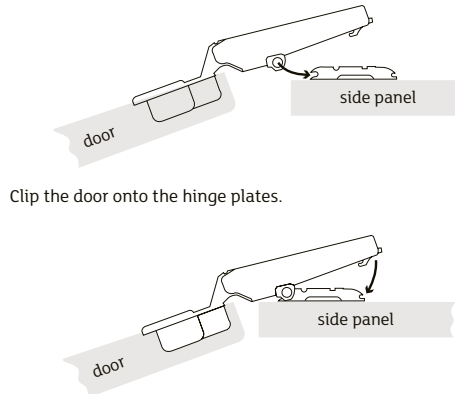
Kickboard clips x 2



STEP 10

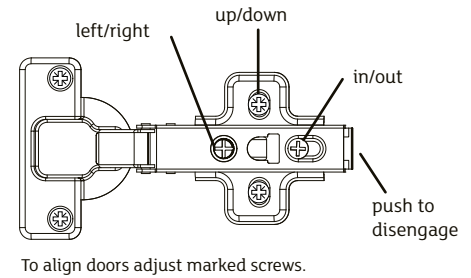


STEP 11



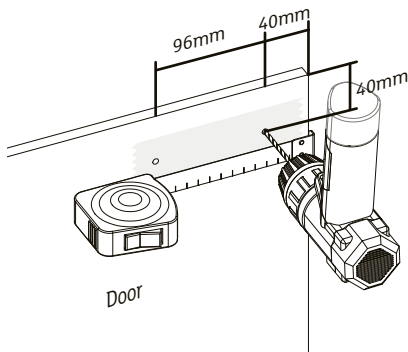
Clip the door onto the hinge plates.

Now push down to clip hinge securely together.



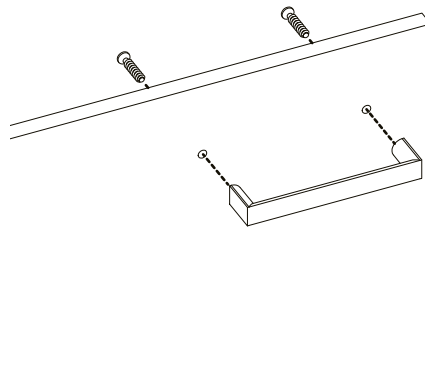
To align doors adjust marked screws.

STEP 12

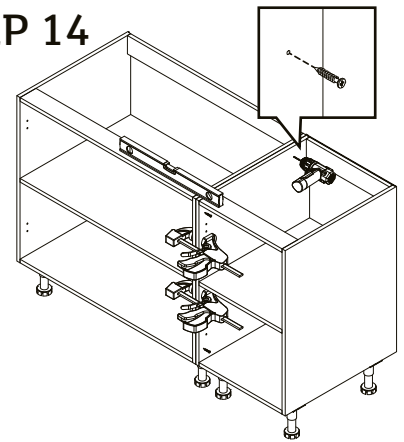


Place masking tape on both sides of the door where holes will be drilled to avoid chipping. Pre-drill using 4.5mm drill bit.

STEP 13

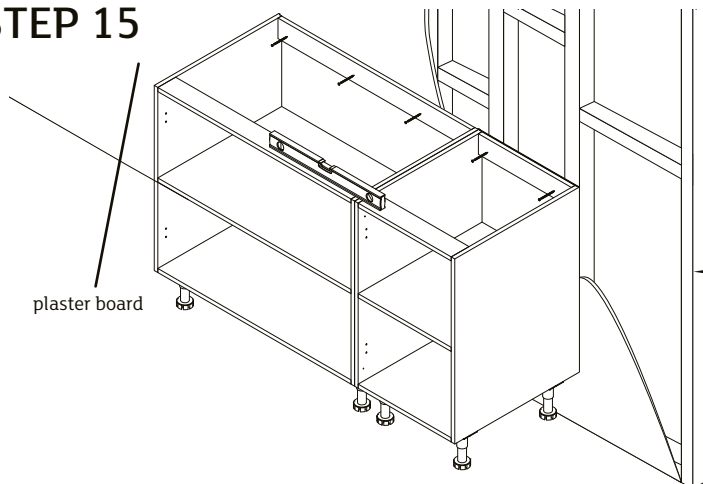


STEP 14



Check cabinets are level then clamp together. Pre-drill using 2mm drill bit and attach cabinets together.

STEP 15



Caution:

Please ensure all cabinets are screwed into your timber stud wall using a minimum of 60mm timber screws. If attaching to concrete, brick, steel or any other substrates seek advice from your hardware specialist.

Caution: Please ensure all cabinets are screwed into your timber stud wall. If attaching to concrete, brick, steel or other sub surfaces seek advice from your hardware specialist. WARNING: Do not allow children to climb on this furniture – it may topple over and badly injure a child.

Do not place toys or other child appealing items on top of this furniture. For advice or any other questions you may have, call customer service on: AU Customers: 1800 666 078 between 8:00am - 6:00pm E.S.T Monday to Friday NZ Customers: 0800 522 663 between 8:00am - 6:00pm E.S.T Monday to Friday