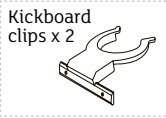
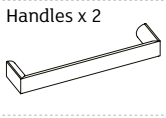
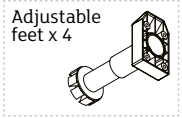
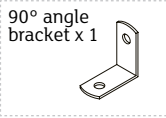
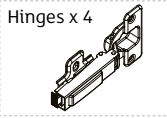
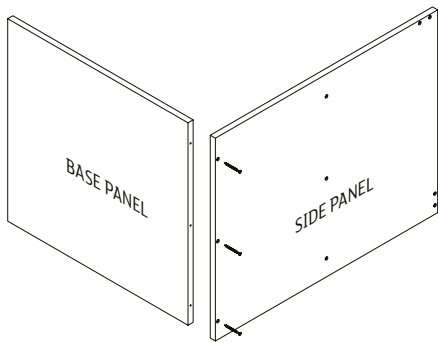


# 600mm BASE CABINET

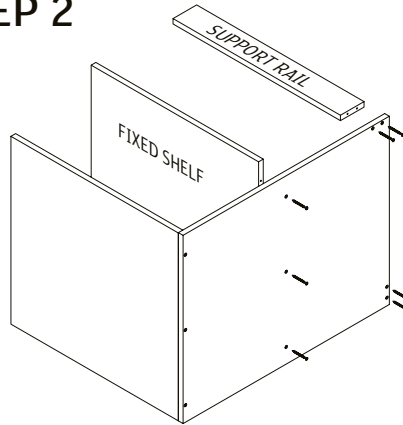


## STEP 1



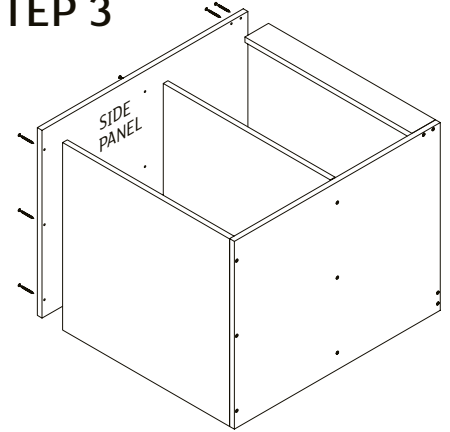
Screw base panel into side panel.

## STEP 2



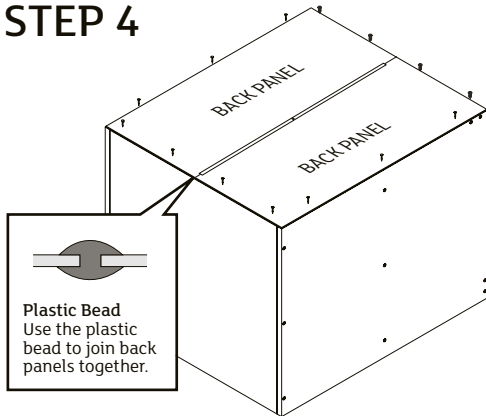
Screw fixed shelf and support rails in position.

## STEP 3



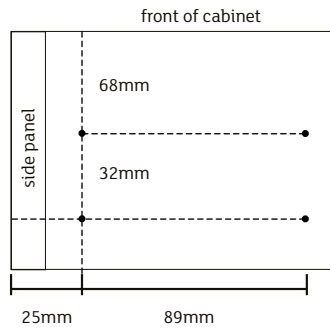
Attach remaining side panel.

## STEP 4



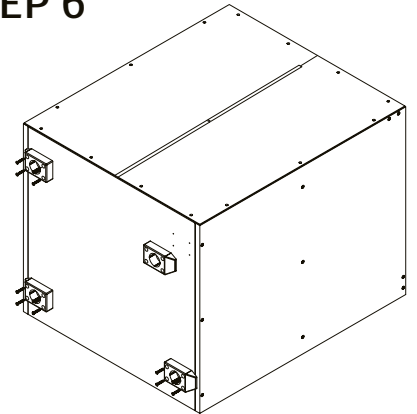
Nail back panel onto the side panels, base panels and fixed shelf. Screw the back panel into the top support rail.

## STEP 5



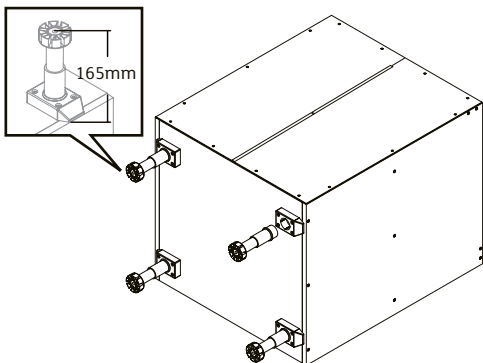
Turn the cabinet over. Mark out the dimensions shown.

## STEP 6



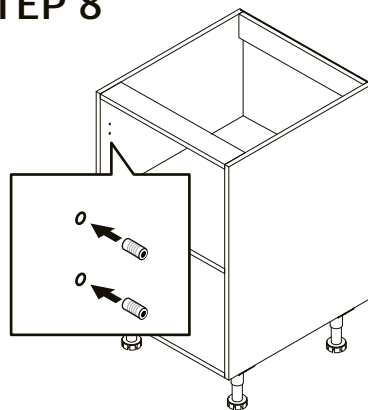
Screw the base plates for the adjustable legs in position.

## STEP 7



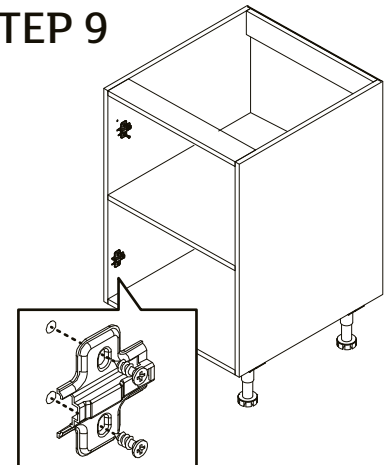
Attach legs to base plates. Set the height of the adjustable legs to 165mm. Repeat for the remaining 3 legs.

## STEP 8

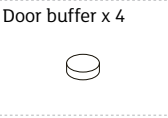
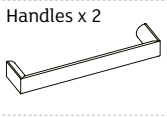
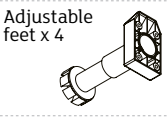
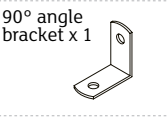
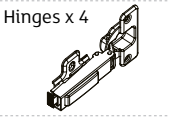


Tap the plastic lugs into the screw holes on the cabinet and door.

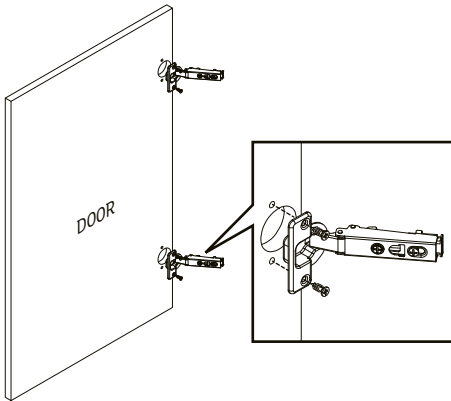
## STEP 9



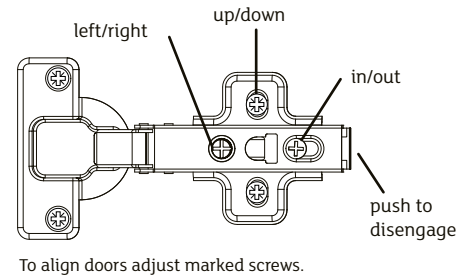
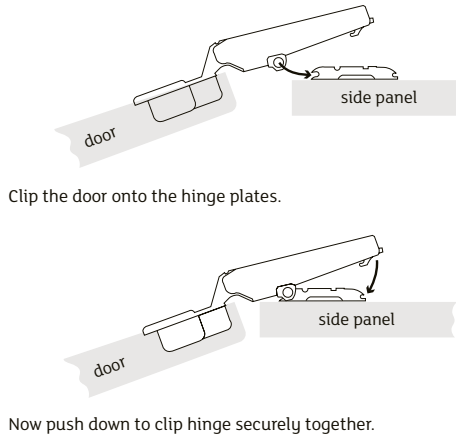
# 600mm BASE CABINET



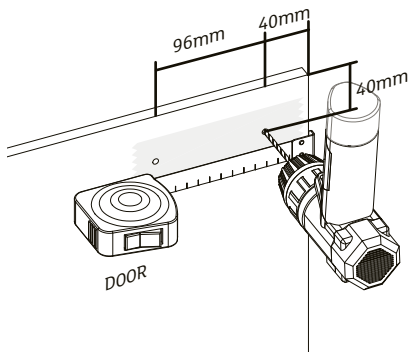
## STEP 10



## STEP 11

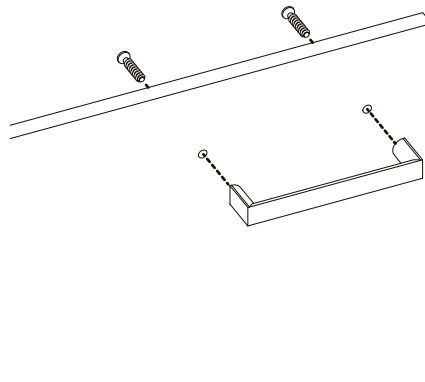


## STEP 12

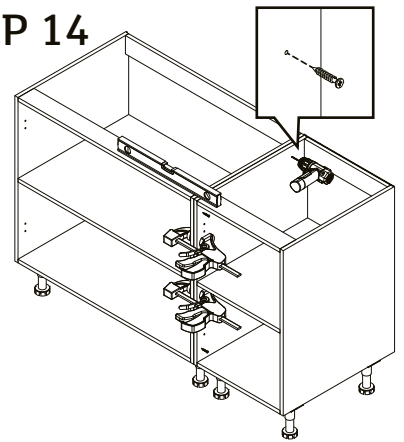


Place masking tape on both sides of the door where holes will be drilled to avoid chipping. Pre-drill using 4.5mm drill bit.

## STEP 13

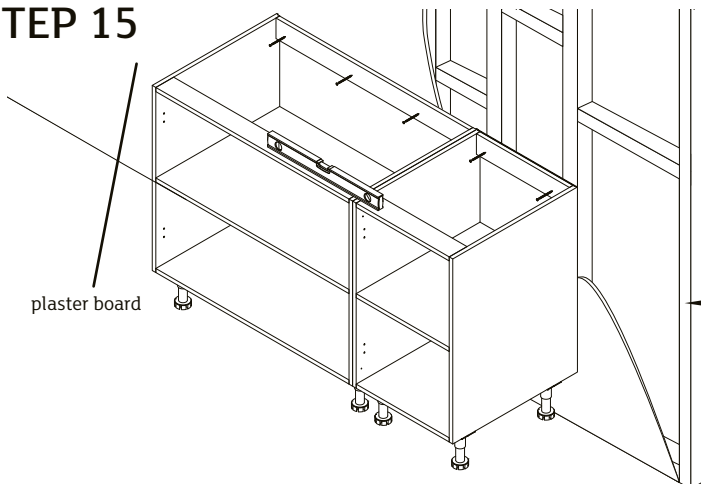


## STEP 14



Check cabinets are level then clamp together. Pre-drill using 2mm drill bit and attach cabinets together.

## STEP 15



**Caution:** Please ensure all cabinets are screwed into your timber stud wall using a minimum of 60mm timber screws. If attaching to concrete, brick, steel or any other substrates seek advice from your hardware specialist.

Caution: Please ensure all cabinets are screwed into your timber stud wall. If attaching to concrete, brick, steel or other sub surfaces seek advice from your hardware specialist. WARNING: Do not allow children to climb on this furniture – it may topple over and badly injure a child.

Do not place toys or other child appealing items on top of this furniture. For advice or any other questions you may have, call customer service on: AU Customers: 1800 666 078 between 8:00am - 6:00pm E.S.T Monday to Friday NZ Customers: 0800 522 663 between 8:00am - 6:00pm E.S.T Monday to Friday