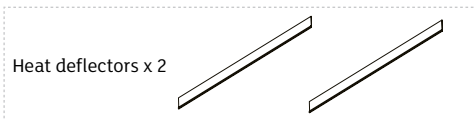
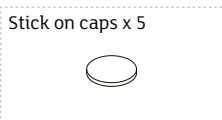
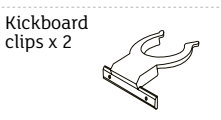
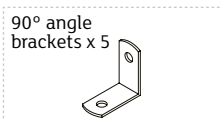
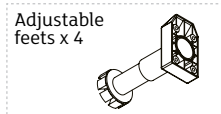
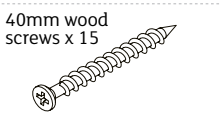


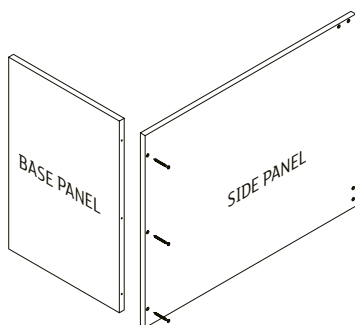
# kitko.

**KITCHEN SOLUTIONS**

# 600mm OVEN CABINET

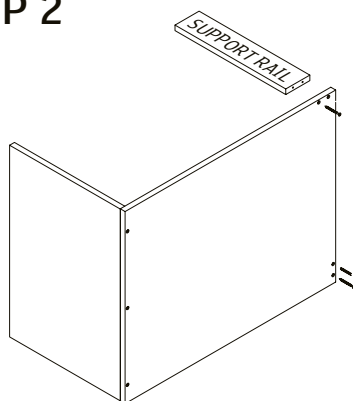


## STEP 1



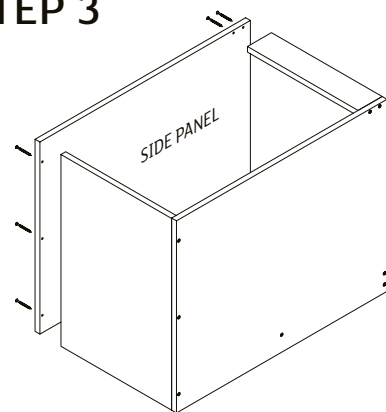
Screw base panel into side panel.

## STEP 2



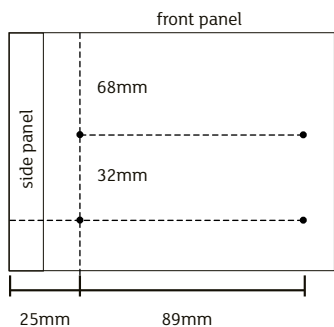
Screw support rails in position.

## STEP 3



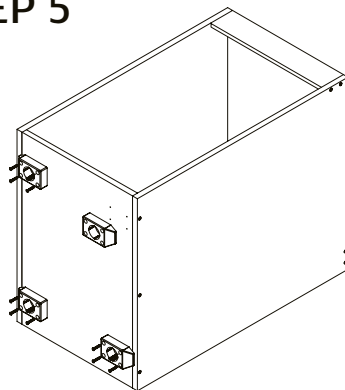
Attach remaining side panel.

## STEP 4



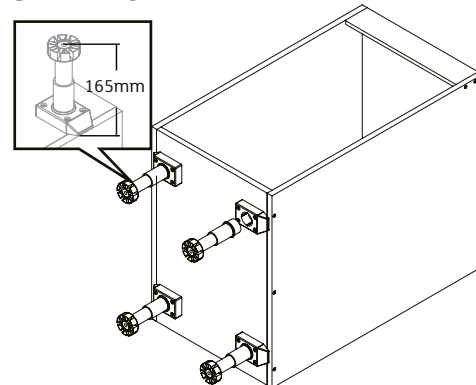
Turn the cabinet over. Mark out the dimensions shown.

## STEP 5



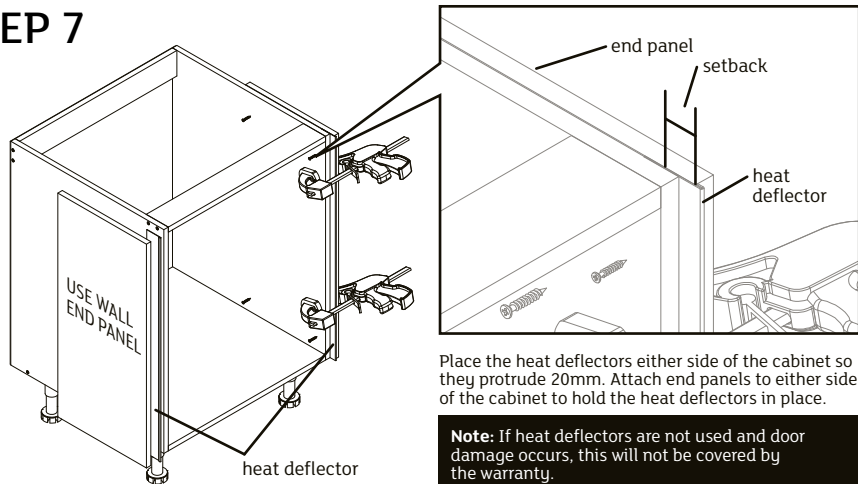
Screw the base plates for the adjustable legs in position.

## STEP 6



Set the height of the adjustable legs to 165mm. Attach legs to base plates.

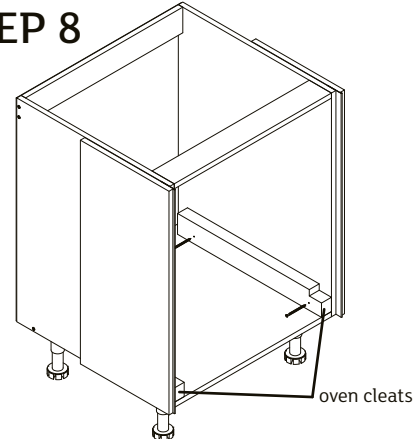
## STEP 7



Place the heat deflectors either side of the cabinet so they protrude 20mm. Attach end panels to either side of the cabinet to hold the heat deflectors in place.

**Note:** If heat deflectors are not used and door damage occurs, this will not be covered by the warranty.

## STEP 8

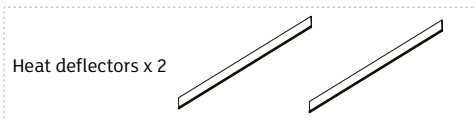
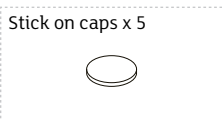
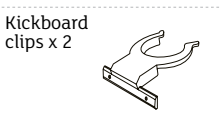
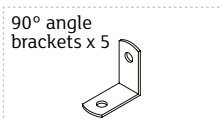
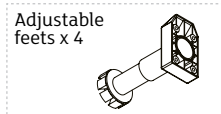
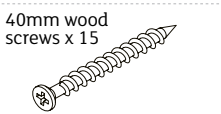


Align the oven cleats with the front of the oven cabinet. Pre-drill with a countersink bit the oven cleats at the front and back so that it can be screwed to the cabinet side panels.

Caution: Please ensure all cabinets are screwed into your timber stud wall. If attaching to concrete, brick, steel or other sub surfaces seek advice from your hardware specialist. **WARNING:** Do not allow children to climb on this furniture – it may topple over and badly injure a child.

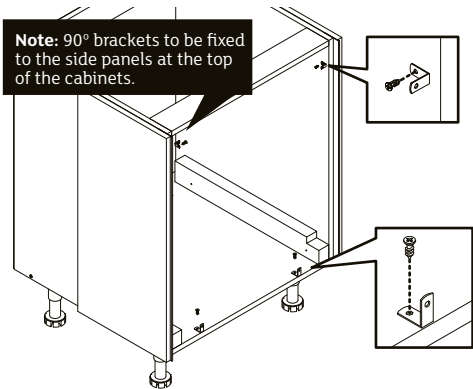
Do not place toys or other child appealing items on top of this furniture. For advice or any other questions you may have, call customer service on: AU Customers: 1800 666 078 between 8:00am - 6:00pm E.S.T Monday to Friday NZ Customers: 0800 522 663 between 8:00am - 6:00pm E.S.T Monday to Friday

# 600mm OVEN CABINET



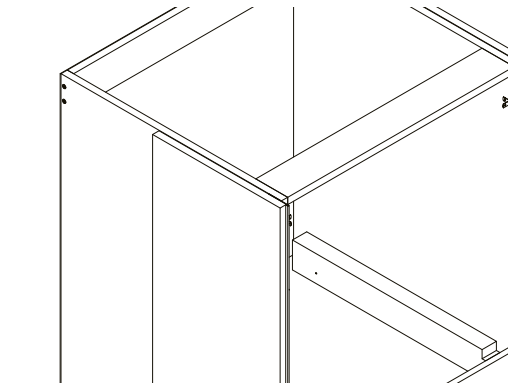
### STEP 9

**Note:** 90° brackets to be fixed to the side panels at the top of the cabinets.



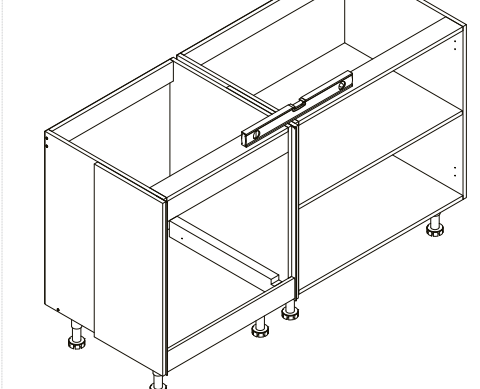
Attach the 90° brackets to the cabinet at the top and bottom using the screws provided.

### STEP 10



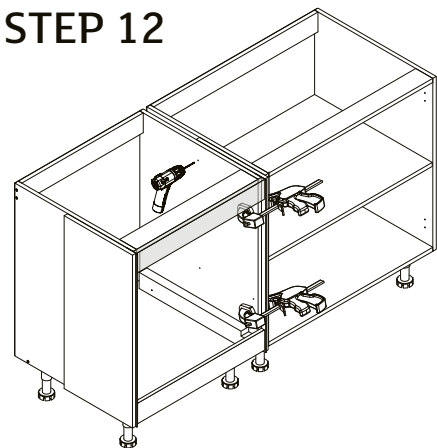
Attach the oven panels to the cabinet using the 90° brackets. The larger panel goes down the bottom whilst the smaller panel goes at the top.

### STEP 11



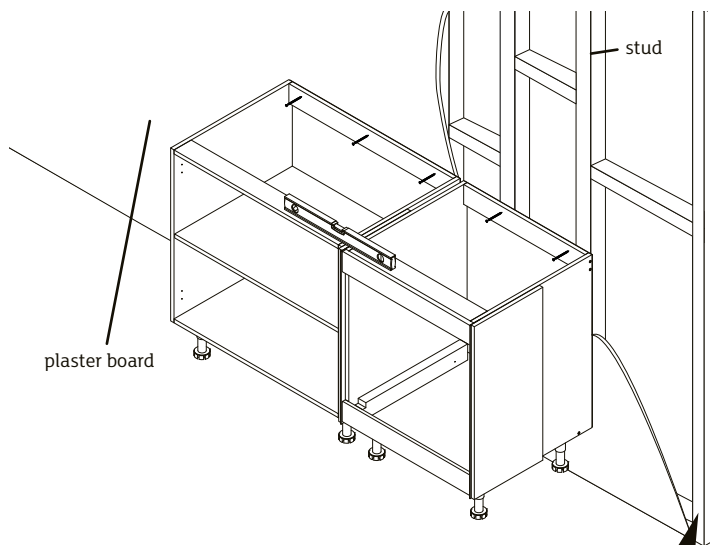
Check that all cabinets are level.

### STEP 12



Clamp cabinets and pre-drill screw holes.

### STEP 14



**Caution:** Please ensure all cabinets are screwed into your timber stud wall using a minimum of 60mm timber screws. If attaching to concrete, brick, steel or any other substrates seek advice from your hardware specialist.

### STEP 13

