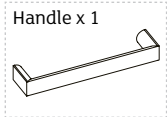
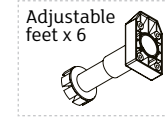
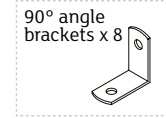
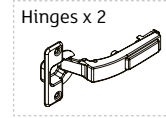


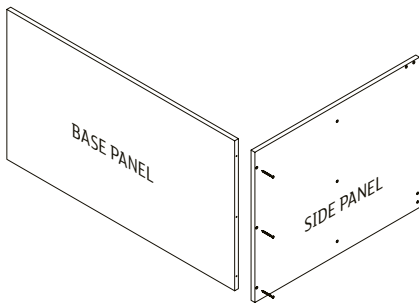
kitko.

KITCHEN SOLUTIONS

1000mm BLIND CORNER CABINET

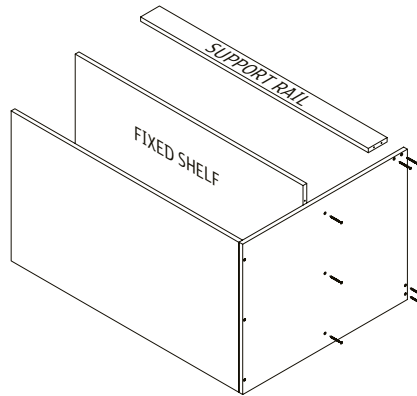


STEP 1



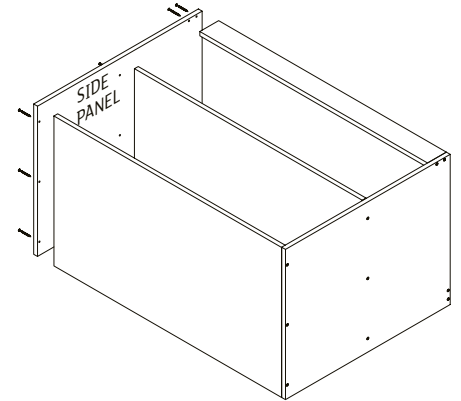
Screw base panel into side panel.

STEP 2



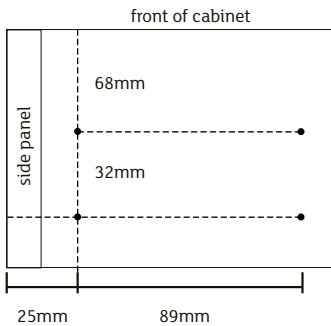
Screw fixed shelf and support rails in position.

STEP 3



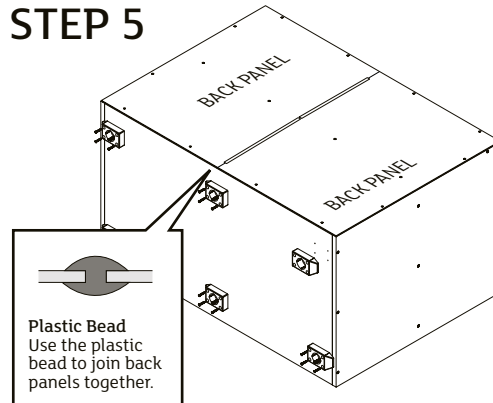
Attach remaining side panel.

STEP 4



Turn the cabinet over. Mark out the dimensions shown.

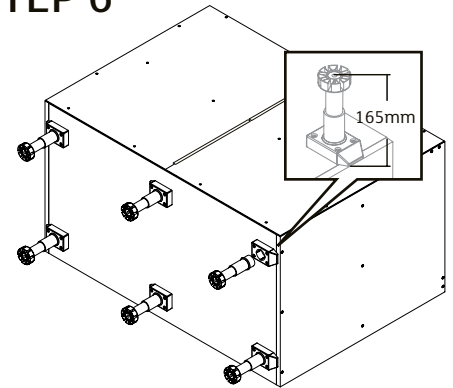
STEP 5



Plastic Bead
Use the plastic bead to join back panels together.

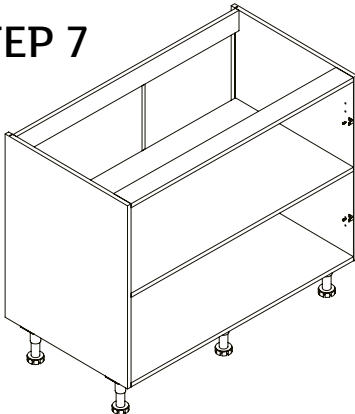
Nail back panel onto the side panels, base panels and fixed shelf. Screw the back panel into the top support rail. Screw the base plates for the adjustable legs in position.

STEP 6



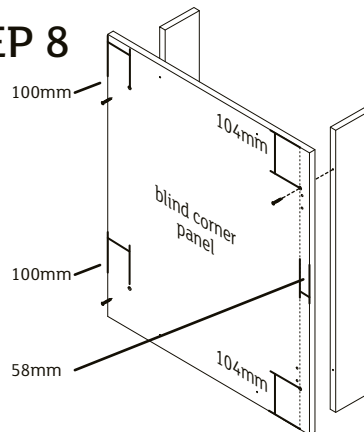
Set the height of the adjustable legs to 165mm. Attach legs to base plates.

STEP 7



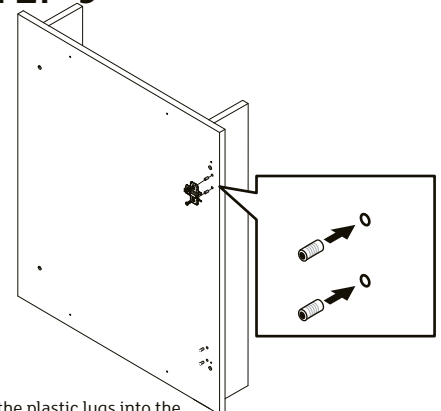
Note: You can change the orientation of the cabinet for either left or right opening via the placement of the blind corner panel on the cabinet. Consider the layout before installing the panel. This image will have the door on the left hand side of the cabinet.

STEP 8



Use the measurements above and pre-drill for the filler panels. Attach both filler panels and the 90° brackets to the top and bottom of the panel.

STEP 9



Tap the plastic lugs into the screw holes on the blind corner panel and door. Attach the hinge mounting plate to the blind corner panel.

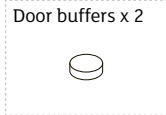
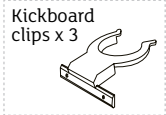
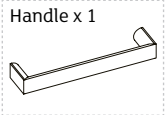
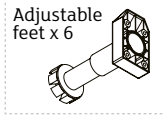
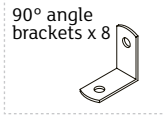
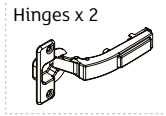
Caution: Please ensure all cabinets are screwed into your timber stud wall. If attaching to concrete, brick, steel or other sub surfaces seek advice from your hardware specialist. **WARNING:** Do not allow children to climb on this furniture – it may topple over and badly injure a child.

Do not place toys or other child appealing items on top of this furniture. For advice or any other questions you may have, call customer service on: AU Customers: 1800 666 078 between 8:00am - 6:00pm E.S.T Monday to Friday NZ Customers: 0800 522 663 between 8:00am - 6:00pm E.S.T Monday to Friday

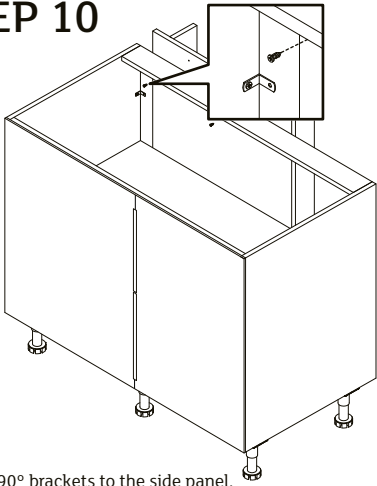
kitko.

KITCHEN SOLUTIONS

1000mm BLIND CORNER CABINET

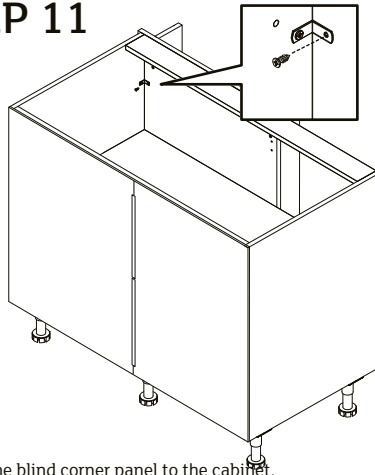


STEP 10



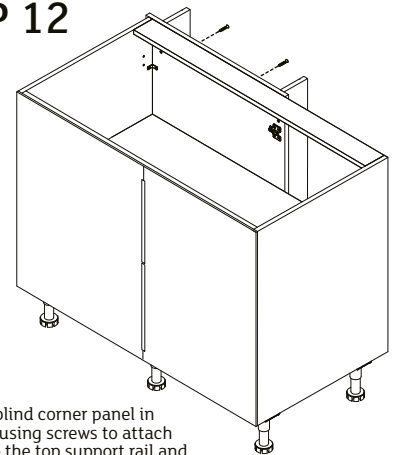
Screw 90° brackets to the side panel.

STEP 11



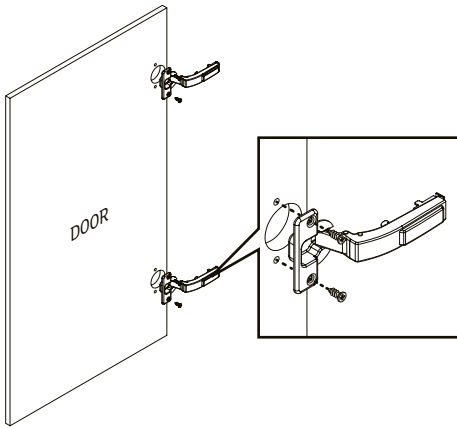
Attach the blind corner panel to the cabinet.

STEP 12

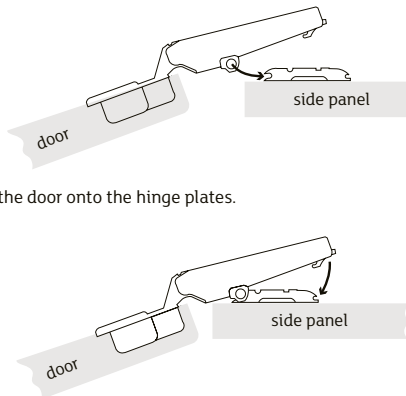


Secure the blind corner panel in position by using screws to attach the panel to the top support rail and bottom panel.

STEP 13

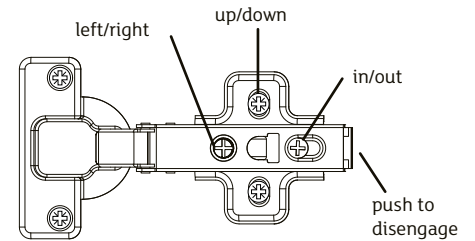


STEP 14



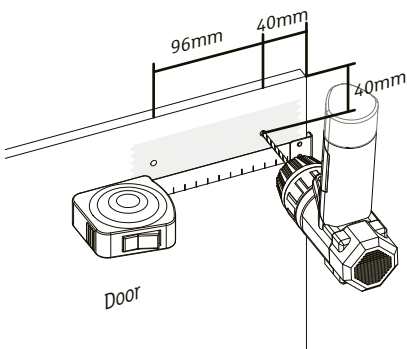
Clip the door onto the hinge plates.

Now push down to clip hinge securely together.



To align doors adjust marked screws.

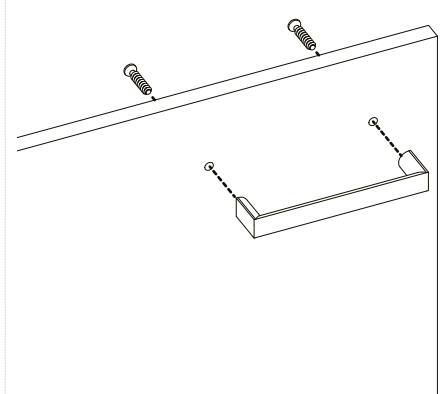
STEP 15



Place masking tape on both sides of the door where holes will be drilled to avoid chipping.

Pre-drill using 4.5mm drill bit.

STEP 16



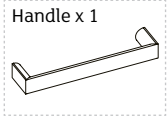
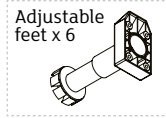
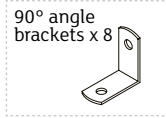
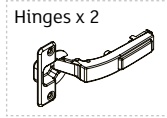
Caution: Please ensure all cabinets are screwed into your timber stud wall. If attaching to concrete, brick, steel or other sub surfaces seek advice from your hardware specialist. WARNING: Do not allow children to climb on this furniture – it may topple over and badly injure a child.

Do not place toys or other child appealing items on top of this furniture. For advice or any other questions you may have, call customer service on: AU Customers: 1800 666 078 between 8:00am - 6:00pm E.S.T Monday to Friday NZ Customers: 0800 522 663 between 8:00am - 6:00pm E.S.T Monday to Friday

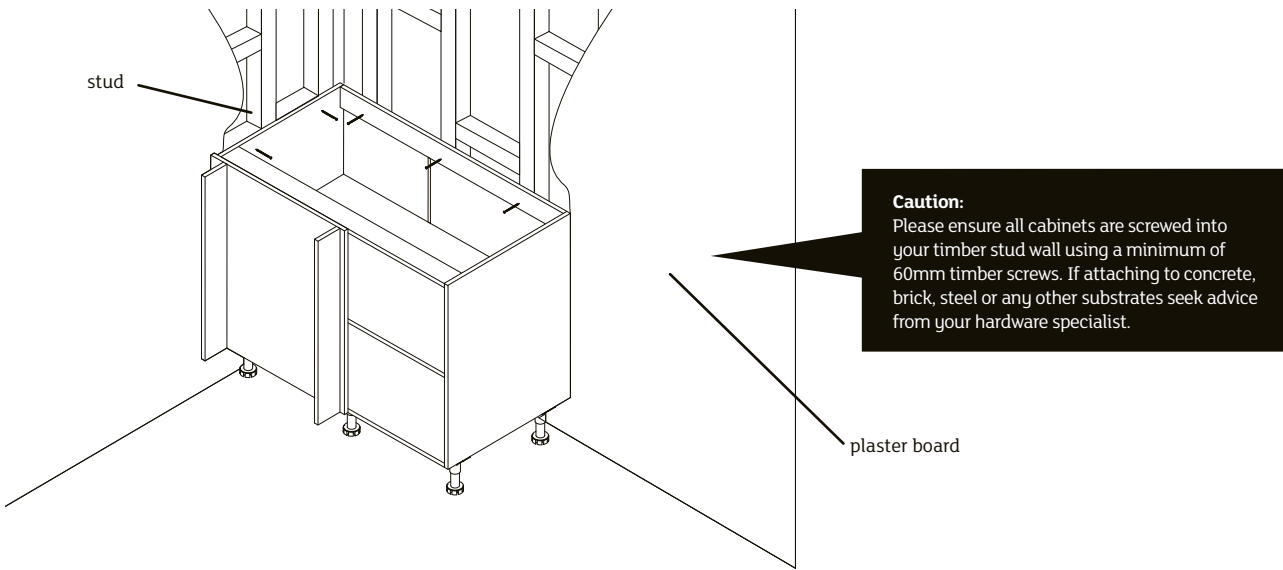
kitko.

KITCHEN SOLUTIONS

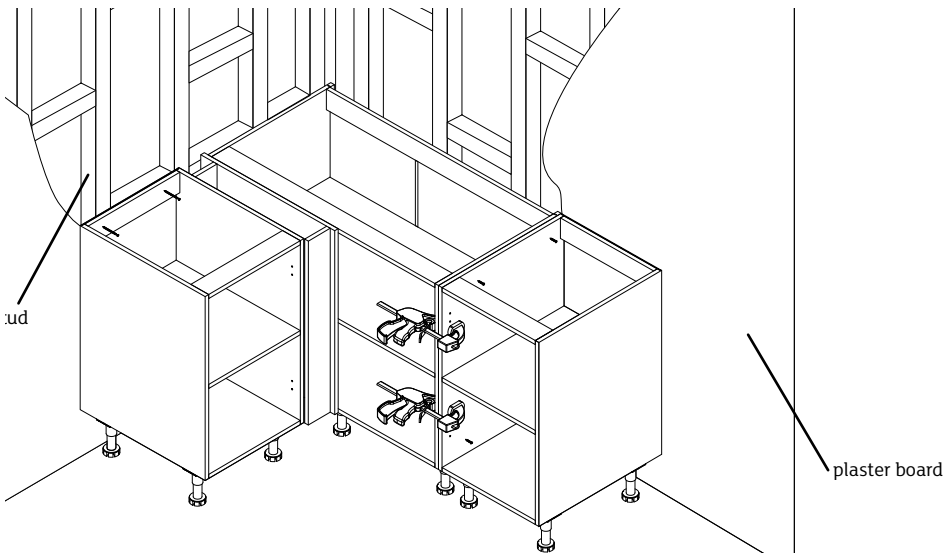
1000mm BLIND CORNER CABINET



STEP 17



STEP 18



Caution: Please ensure all cabinets are screwed into your timber stud wall. If attaching to concrete, brick, steel or other sub surfaces seek advice from your hardware specialist. **WARNING:** Do not allow children to climb on this furniture – it may topple over and badly injure a child.

Do not place toys or other child appealing items on top of this furniture. For advice or any other questions you may have, call customer service on:
 AU Customers: 1800 666 078 between 8:00am - 6:00pm E.S.T Monday to Friday
 NZ Customers: 0800 522 663 between 8:00am - 6:00pm E.S.T Monday to Friday