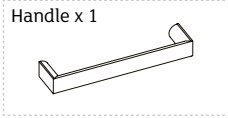
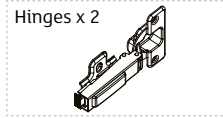
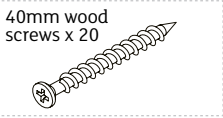


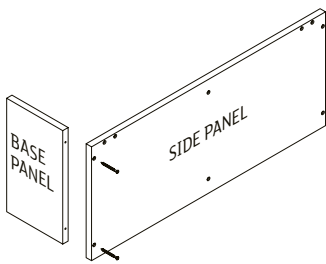
# kitko.

**KITCHEN SOLUTIONS**

# 200mm WALL CABINET

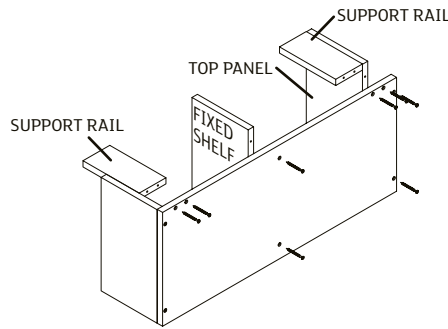


## STEP 1



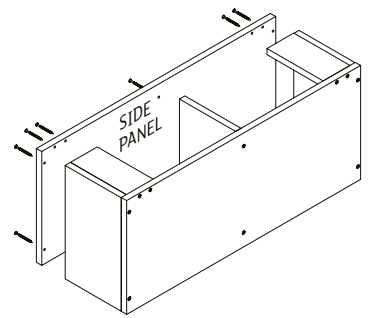
Screw base panel into side panel.

## STEP 2



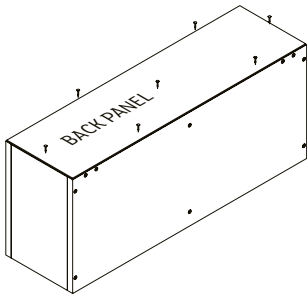
Screw fixed shelf, top panel and support rails in position.

## STEP 3



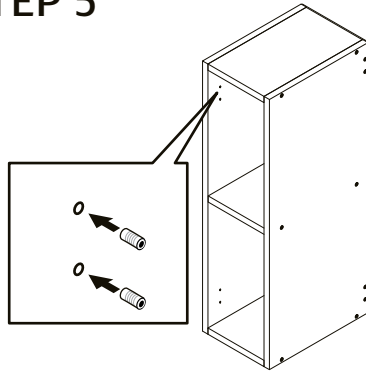
Attach remaining side panel.

## STEP 4



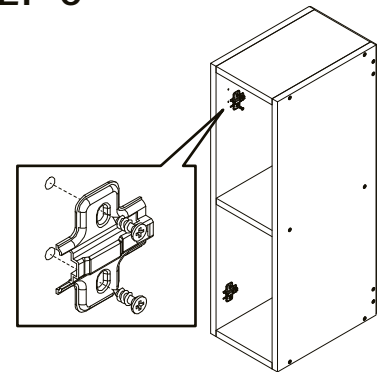
Nail back panel onto the side panels, base panel, fixed shelf and support rail.

## STEP 5

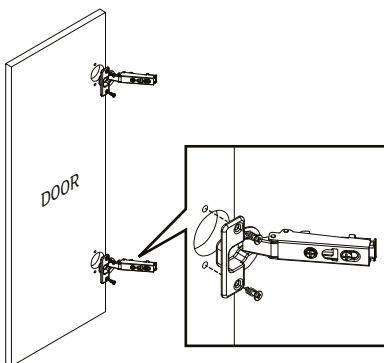


Tap the plastic lugs into the screw holes on the cabinet and door.

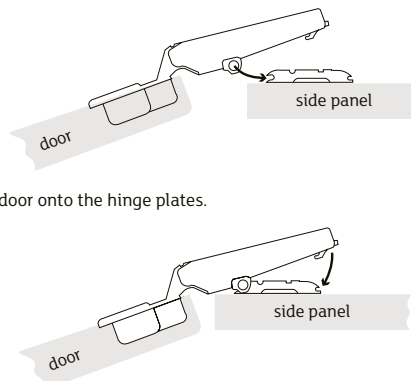
## STEP 6



## STEP 7

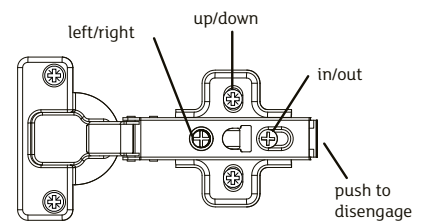


## STEP 8



Clip the door onto the hinge plates.

Now push down to clip hinge securely together.



To align doors adjust marked screws.

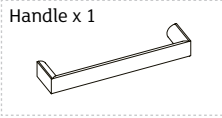
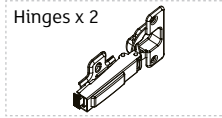
Caution: Please ensure all cabinets are screwed into your timber stud wall. If attaching to concrete, brick, steel or other sub surfaces seek advice from your hardware specialist. WARNING: Do not allow children to climb on this furniture – it may topple over and badly injure a child.

Do not place toys or other child appealing items on top of this furniture. For advice or any other questions you may have, call customer service on: AU Customers: 1800 666 078 between 8:00am - 6:00pm E.S.T Monday to Friday NZ Customers: 0800 522 663 between 8:00am - 6:00pm E.S.T Monday to Friday

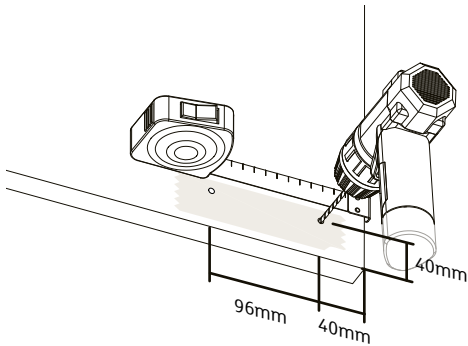
kitko.

KITCHEN SOLUTIONS

# 200mm WALL CABINET

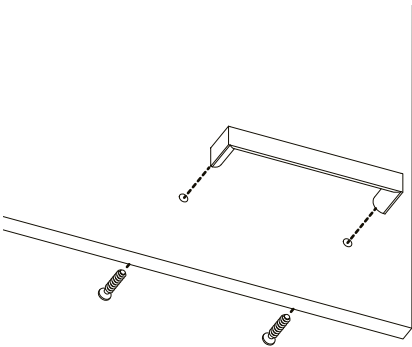


## STEP 9

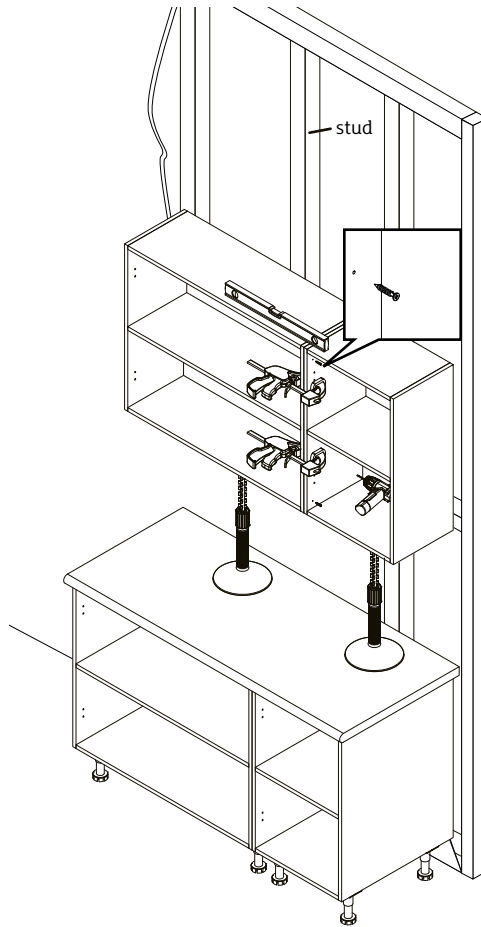


Place masking tape on both sides of the door where holes will be drilled to avoid chipping. Pre-drill using 4.5mm drill bit.

## STEP 10

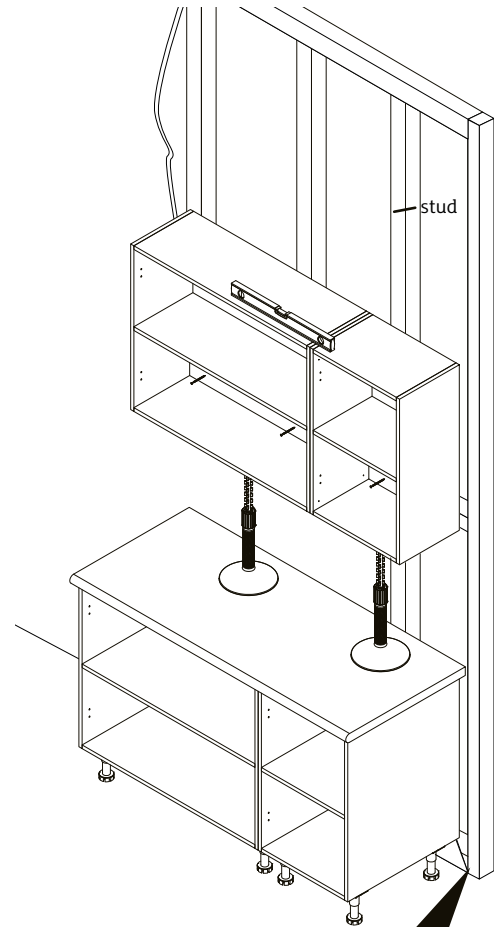


## STEP 11



Check cabinets are level then clamp together. Pre-drill using 2mm drill bit and attach cabinets together.

## STEP 12



**Caution:**  
Please ensure all cabinets are screwed into your timber stud wall using a minimum of 60mm timber screws. If attaching to concrete, brick, steel or any other substrates seek advice from your hardware specialist.