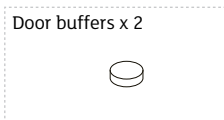
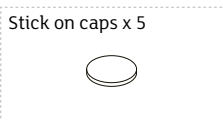
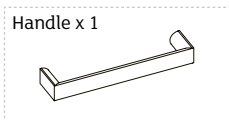
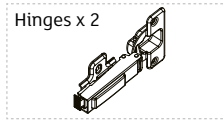


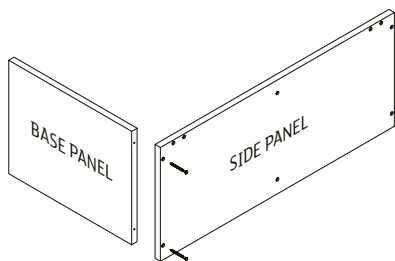
kitko.

KITCHEN SOLUTIONS

400mm WALL CABINET

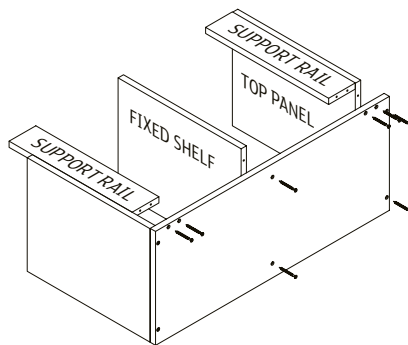


STEP 1



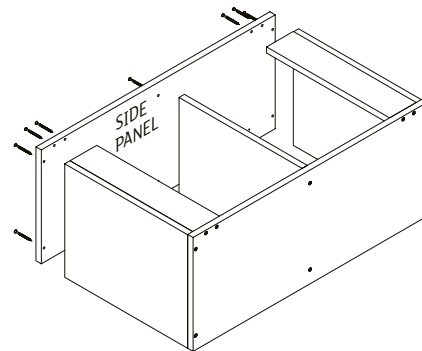
Screw base panel into side panel.

STEP 2



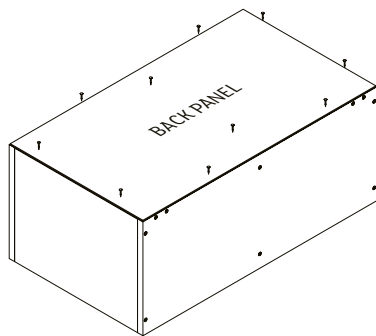
Screw fixed shelf, top panel and support rails in position.

STEP 3



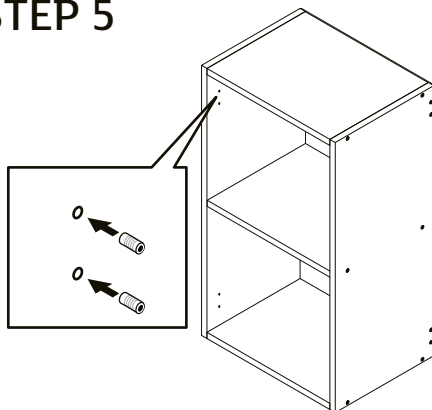
Attach remaining side panel.

STEP 4



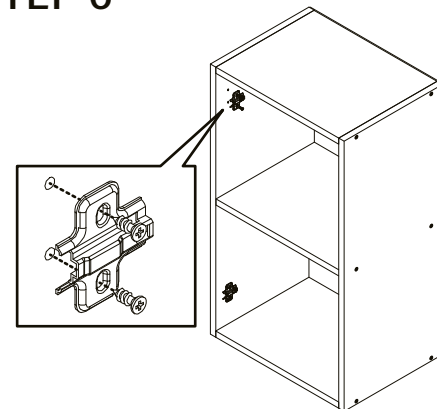
Nail back panel onto the side panels, base panel, fixed shelf and support rail.

STEP 5

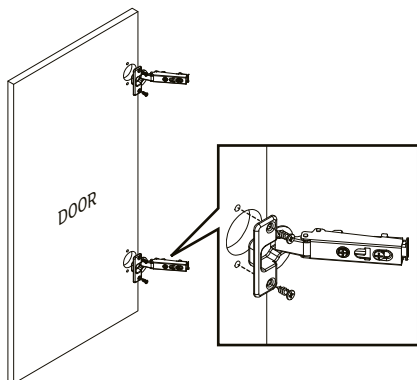


Tap the plastic lugs into the screw holes on the cabinet and door.

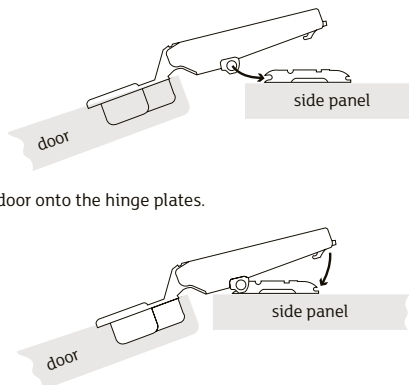
STEP 6



STEP 7

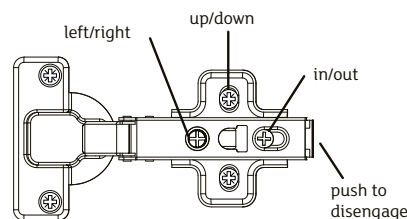


STEP 8



Clip the door onto the hinge plates.

Now push down to clip hinge securely together.



To align doors adjust marked screws.

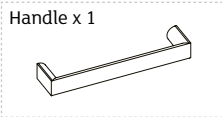
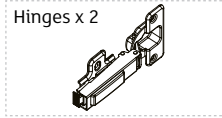
Caution: Please ensure all cabinets are screwed into your timber stud wall. If attaching to concrete, brick, or other sub surfaces seek advice from your hardware specialist. **WARNING:** Do not allow children to climb on this furniture – it may topple over and badly injure a child.

Do not place toys or other child appealing items on top of this furniture. For advice or any other questions you may have, call customer service on: AU Customers: 1800 666 078 between 8:00am - 6:00pm E.S.T Monday to Friday NZ Customers: 0800 522 663 between 8:00am - 6:00pm E.S.T Monday to Friday

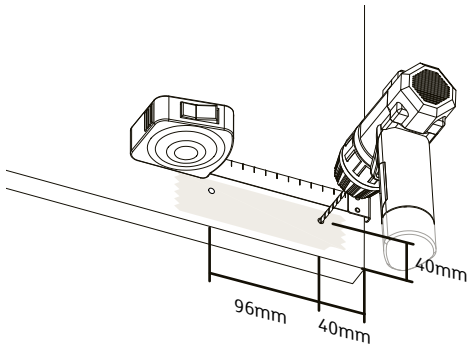
kitko.

KITCHEN SOLUTIONS

400mm WALL CABINET

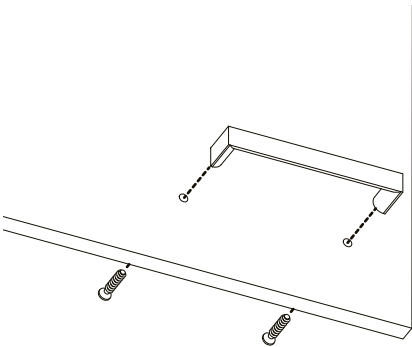


STEP 9

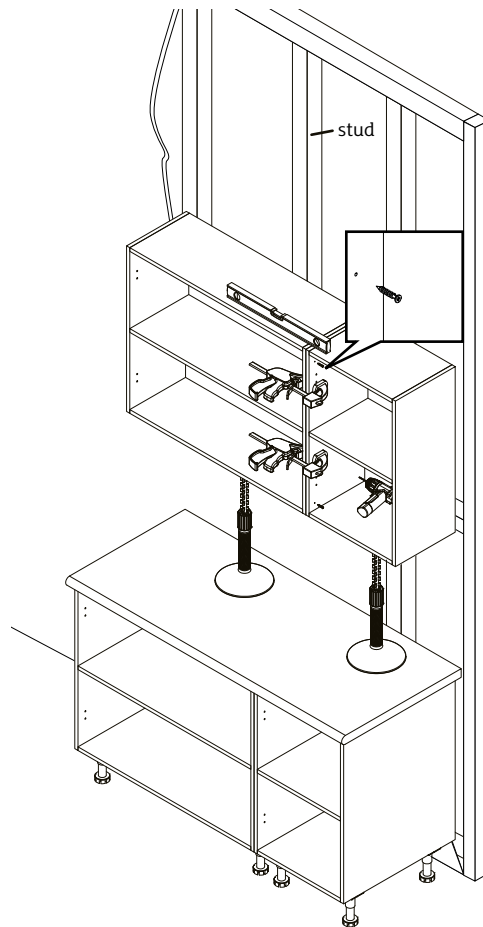


Place masking tape on both sides of the door where holes will be drilled to avoid chipping. Pre-drill using 4.5mm drill bit.

STEP 10

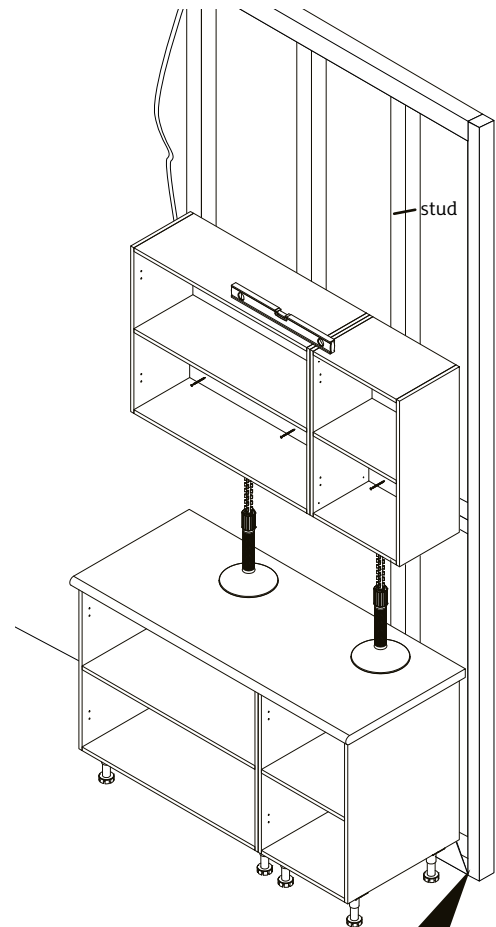


STEP 11



Check cabinets are level then clamp together. Pre-drill using 2mm drill bit and attach cabinets together.

STEP 12



Caution: Please ensure all cabinets are screwed into your timber stud wall using a minimum of 60mm timber screws. If attaching to concrete, brick, steel or any other substrates seek advice from your hardware specialist.